

Technical data sheet

Product features



Cooking range induction 4 zones

| | | |
|--------------|----------------------------------|----------|
| Model | SAP Code | 00013593 |
| PCID-88ET | A group of articles - web | Stoves |



- Device type: Electric unit
- Power consumption of the zone 1 [kW]: 5
- Power consumption of the zone 2 [kW]: 5
- Power consumption of the zone 3 [kW]: 5
- Power consumption of the zone 4 [kW]: 5
- Protection of controls: IPX5
- Material: AISI 304 top plate and cladding

| | | | |
|----------------------------|--------------------|---|-----------|
| SAP Code | 00013593 | Number of zones | 4 |
| Net Width [mm] | 800 | Power consumption of the zone 1 [kW] | 5 |
| Net Depth [mm] | 800 | Power consumption of the zone 2 [kW] | 5 |
| Net Height [mm] | 422 | Power consumption of the zone 3 [kW] | 5 |
| Net Weight [kg] | 43.00 | Power consumption of the zone 4 [kW] | 5 |
| Power electric [kW] | 20.000 | Ceramic glass dimensions [mm] | 750 x 770 |
| Loading | 400 V / 3N - 50 Hz | | |

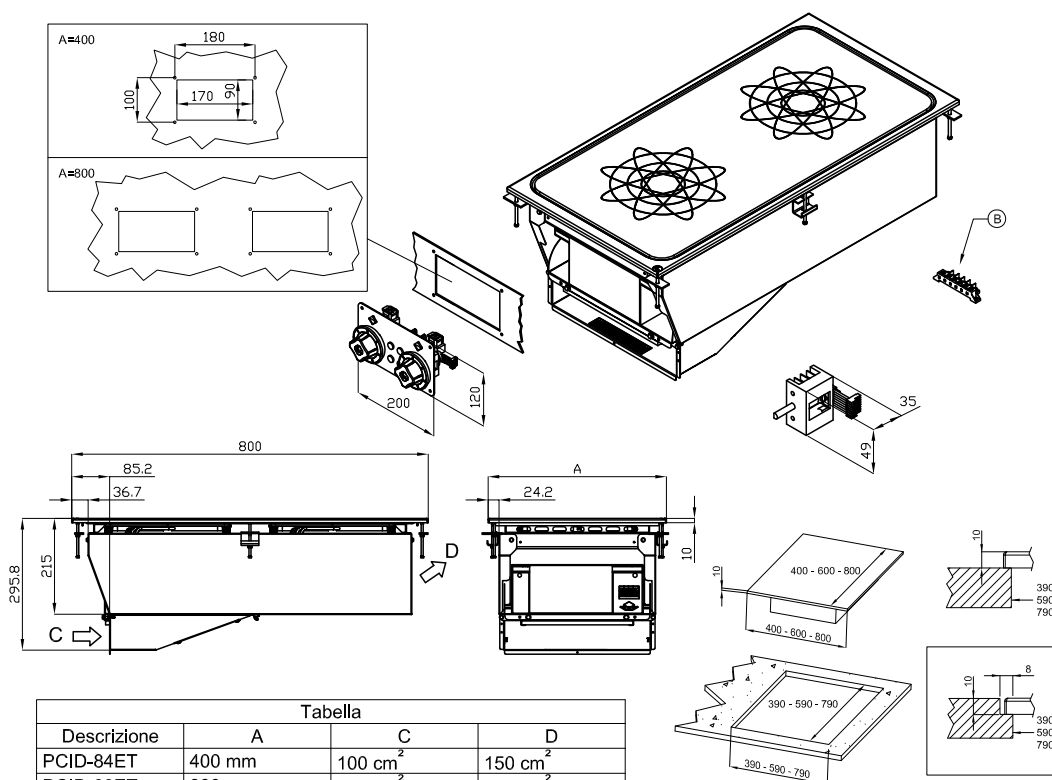
Technical data sheet

Technical drawing



Cooking range induction 4 zones

| | | |
|--------------|----------------------------------|----------|
| Model | SAP Code | 00013593 |
| PCID-88ET | A group of articles - web | Stoves |



| Tabella | | | |
|-------------|--------|---------------------|---------------------|
| Descrizione | A | C | D |
| PCID-84ET | 400 mm | 100 cm ² | 150 cm ² |
| PCID-88ET | 800 mm | 165 cm ² | 200 cm ² |

| | | | | | |
|---|------------|--|---|-----------------------|--|
| A | Data plate | | B | Electrical connection | |
|---|------------|--|---|-----------------------|--|

Technical data sheet

Technical parameters



Cooking range induction 4 zones

| | | |
|--------------|----------------------------------|----------|
| Model | SAP Code | 00013593 |
| PCID-88ET | A group of articles - web | Stoves |

1. SAP Code:

00013593

2. Net Width [mm]:

800

3. Net Depth [mm]:

800

4. Net Height [mm]:

422

5. Net Weight [kg]:

43.00

6. Gross Width [mm]:

830

7. Gross depth [mm]:

970

8. Gross Height [mm]:

540

9. Gross Weight [kg]:

50.00

10. Device type:

Electric unit

11. Construction type of device:

Drop-in

12. Power electric [kW]:

20.000

13. Loading:

400 V / 3N - 50 Hz

14. Protection of controls:

IPX5

15. Material:

AISI 304 top plate and cladding

16. Worktop type:

Molded - comfortable cleaning maintenance

17. Worktop Thickness [mm]:

2.00

18. Number of zones:

4

19. Power consumption of the zone 1 [kW]:

5

20. Power consumption of the zone 2 [kW]:

5

21. Power consumption of the zone 3 [kW]:

5

22. Power consumption of the zone 4 [kW]:

5

23. Power control type:

knob control

24. Number of power control stages:

6

25. Service accessibility:

From the front by removing the front panel and waste fluid containers

26. Number of burners/hot plates:

4

27. Type of electric cooking zones:

Induction

28. Ceramic glass dimensions [mm]:

750 x 770

Technical data sheet

Technical parameters



Cooking range induction 4 zones

| | | |
|--------------|----------------------------------|----------|
| Model | SAP Code | 00013593 |
| PCID-88ET | A group of articles - web | Stoves |

29. Cross-section of conductors CU [mm²]:

10

31. Load capacity [kg]:

60

30. Glass-ceramic top thickness [mm]:

6